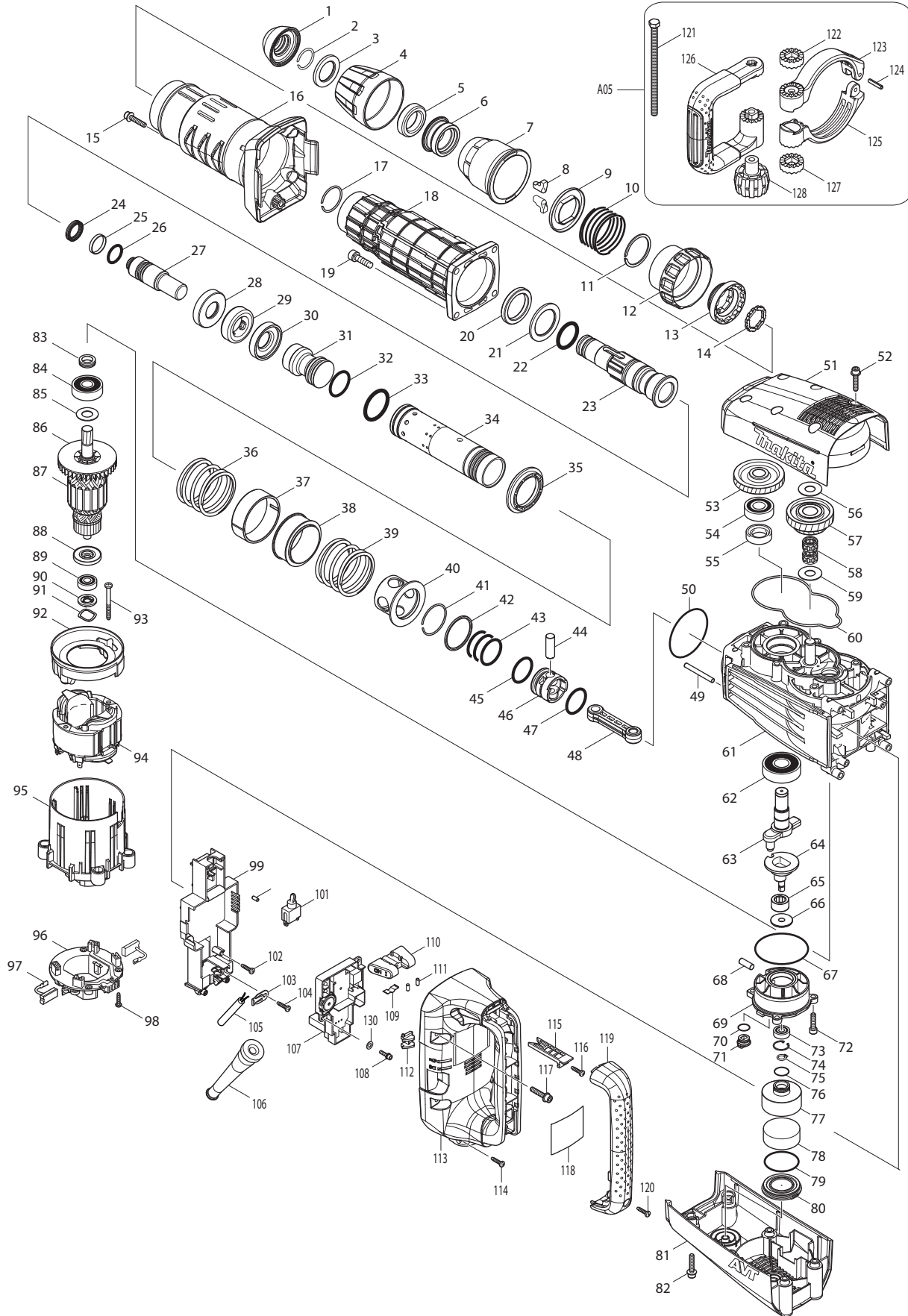




04 - 2009
HM1214C
27.1LB Demolition Hammer



PARTS LIST

Item No	Type	Part No	Description	Qty	Unit
001		424165-8	TOOL HOLDER CAP	1	PC.
002		233973-4	RING SPRING 26	1	PC.
003		267386-7	FLAT WASHER 30	1	PC.
004		450894-7	CHUCK COVER	1	PC.
005		262147-0	RUBBER RING 30	1	PC.
006		324987-5	CHUCK RING	1	PC.
007		450895-5	RELEASE COVER	1	PC.
008		310279-8	TOOL RETAINER	2	PC.
009		346015-6	SPRING GUIDE	1	PC.
010		234086-4	COMPRESSION SPRING 56	1	PC.
011		961232-3	RETAINING RING WR-45	1	PC.
012		450893-9	CHANGE RING COVER	1	PC.
013		324969-7	CHANGE RING	1	PC.
014		324988-3	LOCK RING	1	PC.
015		266499-1	H.S HEAD BOLT M6X30 WITH GM	1	PC.
016		451113-4	BARREL COVER	1	PC.
017		233970-0	RING SPRING 35	1	PC.
018	2	141786-8	BARREL COMPLETE	1	PC.
019		266010-9	HEX. SOCKET HEAD BOLT M8X30	4	PC.
020		262148-8	RUBBER RING 39	1	PC.
021		267387-5	FLAT WASHER 39	1	PC.
022		213079-4	O-RING 35.5	1	PC.
023		324985-9	TOOL HOLDER	1	PC.
024		213980-3	X-RING 21	1	PC.
025		213431-6	FLUORIDE RING 28	1	PC.
026		213394-6	O RING 23	1	PC.
027		325681-2	IMPACT BOLT	1	PC.
028		324993-0	SHOULDER SLEEVE	1	PC.
029		262149-6	RUBBER RING 24	1	PC.
030		324993-0	SHOULDER SLEEVE	1	PC.
031		325680-4	STRIKER	1	PC.
032		213499-2	O-RING 31.5	1	PC.
033		213581-7	O-RING 44	1	PC.
034		331856-3	CYLINDER 40	1	PC.
035		451110-0	CYLINDER GUIDE	1	PC.
036		234107-2	COMPRESSION SPRING 58	1	PC.
037		451103-7	WEIGHT GUIDE	1	PC.
038		331854-7	COUNTER WEIGHT	1	PC.

Item No	Type	Part No	Description	Qty	Unit
039		234107-2	COMPRESSION SPRING 58	1	PC.
040		325661-8	SLIDE SLEEVE	1	PC.
041		231985-1	RING SPRING 43	1	PC.
042		257297-4	RING 45	1	PC.
043		213510-0	O RING 36	3	PC.
044		268121-6	PIN 12	1	PC.
045		213499-2	O-RING 31.5	1	PC.
046		450961-8	PISTON	1	PC.
047		213149-9	O RING 35	1	PC.
048		450890-5	CONNECTING ROD	1	PC.
049		268235-1	PIN 6	1	PC.
050		213754-2	O RING 71	1	PC.
051		451115-0	GEAR COVER	1	PC.
052		266499-1	H.S HEAD BOLT M6X30 WITH GM	6	PC.
053		226699-5	HELICAL GEAR 52	1	PC.
054	2	211290-2	* BALL BEARING 6203ZZ	1	PC
054	3	211256-2	* BALL BEARING 6203LLB	1	PC
056		267166-1	FLAT WASHER 14	1	PC.
057		226155-5	GEAR COMPLETE 34-48	1	PC.
058		212159-3	NEEDLE CAGE 1412	2	PC.
059		267166-1	FLAT WASHER 14	1	PC.
060		424196-7	SEAL RING	1	PC.
061		158983-9	CRANK HOUSING COMPLETE	1	PC.
062		211327-5	BALL BEARING 6304LLU	1	PC.
063		325659-5	CRANK SHAFT	1	PC.
064		325660-0	COUNTER SHAFT	1	PC.
065		212225-6	NEEDLE BEARING 1613	1	PC.
066		325662-6	SHOULDER WASHER 8	1	PC.
067		213754-2	O RING 71	1	PC.
068		268222-0	PIN 8	1	PC.
069		158985-5	BEARING BOX COMPLETE	1	PC.
070		213176-6	O RING 14	1	PC.
071		451104-5	GREASE CAP	1	PC.
072		266087-4	HEX.BOLT M6X25	3	PC.
073	2	210223-4	BALL BEARING 608ZZ	1	PC.
074		962112-6	RETAINING RING R-22	1	PC.
075		961004-6	RETAINING RING S-8	1	PC.
076		213262-3	O RING 18	1	PC.
077		451108-7	FILTER CASE	1	PC.

Item No	Type	Part No	Description	Qty	Unit
078		443147-1	FILTER	1	PC.
079		213569-7	O RING 45	1	PC.
080		451109-5	FILTER CASE COVER	1	PC.
081		451116-8	REAR COVER	1	PC.
082		266499-1	H.S HEAD BOLT M6X30 WITH GM	6	PC.
083		331855-5	SEALING SCREW	1	PC.
084		211249-9	BALL BEARING 6302LLU	1	PC.
085		267397-2	FLAT WASHER 15	1	PC.
086		240003-4	ARMATURE FAN 80 - Removed	1	PC.
087		517836-5	ARMATURE ASSEMBLY 115V	1	PC.
087	INC.		Item No. 84-86, 88, 89		
088		681642-5	INSULATION WASHER	1	PC.
089		210059-1	BALL BEARING 6000DDW	1	PC.
090		451107-9	WASHER GUIDE	1	PC.
091		267809-5	WAVE WASHER 19	1	PC.
092		451111-8	BAFFLE PLATE	1	PC.
093		266095-5	TAPPING SCREW 5X55	2	PC.
094		636301-6	FIELD 115V	1	PC.
095		451117-6	MOTOR HOUSING	1	PC.
096	2	632D00-2	BRUSH HOLDER UNIT	1	PC.
097	2	195845-0	AC CARBON BRUSH CB-175 2PC/SET (W/ ORIGIN)	1	SET
097	3	195844-2	AC CARBON BRUSH CB-175 2PC/SET (W/ ORIGIN)	1	SET
098		265995-6	TAPPING SCREW 4X18	4	PC.
099		158986-3	* CONTROLLER COVER COMPLETE	1	PC.
100		263027-3	RUBBER PIN 4	1	PC.
101		651423-1	SWITCH	1	PC.
102		265995-6	* TAPPING SCREW 4X18	2	PC.
103		687169-3	STRAIN RELIEF	1	PC.
104		265995-6	TAPPING SCREW 4X18	1	PC.
105		664471-1	CORD W/PLUG 2-14-5.0M, SJ	1	PC.
106		682560-0	CORD GUARD 10	1	PC.
107	2	620225-6	* CONTROLLER	1	PC.
108	2	266834-3	* HEX. SOCKET HEAD BOLT M4X18 WITH GM	2	PC.
109		232209-8	LEAF SPRING	1	PC.
110		451112-6	SLIDE LEVER	1	PC.
111		263027-3	RUBBER PIN 4	2	PC.
112		451105-3	LENS	1	PC.
113		451118-4	HANDLE	1	PC.
114		265995-6	TAPPING SCREW 4X18	1	PC.

Item No	Type	Part No	Description	Qty	Unit
115		451106-1	SWITCH LEVER	1	PC.
116		265995-6	TAPPING SCREW 4X18	1	PC.
117		266499-1	H.S HEAD BOLT M6X30 WITH GM	4	PC.
118	1	866749-0	HM1214C NAME PLATE	1	PC.
118	2	858S22-6	HM1214C NAME PLATE	1	PC.
119		451119-2	HANDLE COVER	1	PC.
120		265995-6	TAPPING SCREW 4X18	2	PC.
121		265439-6	HEX. BOLT M8X150	1	PC.
122		417002-3	SIDE HANDLE CAM	1	PC.
123		318430-4	SIDE HANDLE BASE 90A	1	PC.
124		951166-8	SPRING PIN 5-24	1	PC.
125		318431-2	SIDE HANDLE BASE 90B	1	PC.
126		417003-1	SIDE HANDLE	1	PC.
127		417002-3	SIDE HANDLE CAM	1	PC.
128		252640-2	WING NUT M8	1	PC.
200		652008-6	PAN HEAD SCREW M3.5 X 7(F/SWITCH)	2	PC.
A01		751423-A	SDS-MAX BULL POINT 12"	1	PC.
A01	1	A-80787	SDS-MAX BULL POINT 12" (MC USE 751423-A)	1	PC.
A01	2	D-36463	SDS-MAX BULL POINT CHISEL 12"	1	PC.
A02	2	194683-7	GREASE VESSEL SET, 100CC, PUMP TYPE, FOR BIT	1	PC.
A03		443122-7	CLOTH	1	PC.
A04		824882-4	PLASTIC CARRYING CASE	1	PC.
A04	INC.	162271-8	LATCH	2	PC.
A05		135283-4	SIDE HANDLE 90 ASSEMBLY (D-Style Handle)	1	PC.
A05	INC.		Item No. 121-128		
A06		195114-9	HAMMER SERVICE KIT	1	PC.
A06	INC.	213394-6	O RING 23	1	PC.
A06	INC.	213980-3	X RING 21	1	PC.
A06	INC.	213149-9	O RING 35	1	PC.
A06	INC.	213499-2	O RING 31.5	2	PC.
A06	INC.	213079-4	O RING 35.5	1	PC.
A06	INC.	262149-6	RUBBER RING 24	1	PC.
A06	INC.	262148-8	RUBBER RING 39	1	PC.
A06	INC.	213431-6	FLUORIDE RING 28	1	PC.
A06	INC.	424165-8	TOOL HOLDER CAP	1	PC.
A06	2	INC. A-90582	MAKITA GREASE R NO.00 30CC (1OZ)	2	PC.
A06	3	INC. 195845-0	AC CARBON BRUSH CB-175 2PC/SET (W/ ORIGIN)	1	SET
A07	1		DUST EXTRACTOR ATTACHMENT SET	1	PC.
A07	1	INC. 142350-8	HOSE COMPLETE 28 - 1.5	1	PC.

Item No	Type	Part No	Description	Qty	Unit
A07	1	INC. 454809-6	HOSE HOLDER C	1	PC.
A07	1	INC. 454750-3	HOSE HOLDER B	1	PC.
A07	1	INC. 415021-3	HOSE JOINT	1	PC.
A07	1	INC. 454749-8	HOSE HOLDER A	1	PC.
A07	1-2	INC. 195545-2	FRONT CUFF 38 PKG (BULK# 417766-9)	1	PC.
A07	1-2	INC. 195547-8	FRONT CUFF 22	1	PC.
A07	2	199019-5	DUST EXTRACTOR ATTACHMENT SET	1	PC.
A07	2	INC. 415021-3	HOSE JOINT	1	PC.
A07	2	INC. 454749-8	HOSE HOLDER A	1	PC.
A07	2	INC. 454750-3	HOSE HOLDER B	1	PC.
A07	2	INC. 454809-6	HOSE HOLDER C	1	PC.
A07	2-2	INC. 195545-2	FRONT CUFF 38 PKG (BULK# 417766-9)	1	PC.
A07	2-2	INC. 195547-8	FRONT CUFF 22	1	PC.

SERVICE CHANGES: HM1214C

1. Changes on Controller

(T/I#91793, 93668)

(TI#99132)

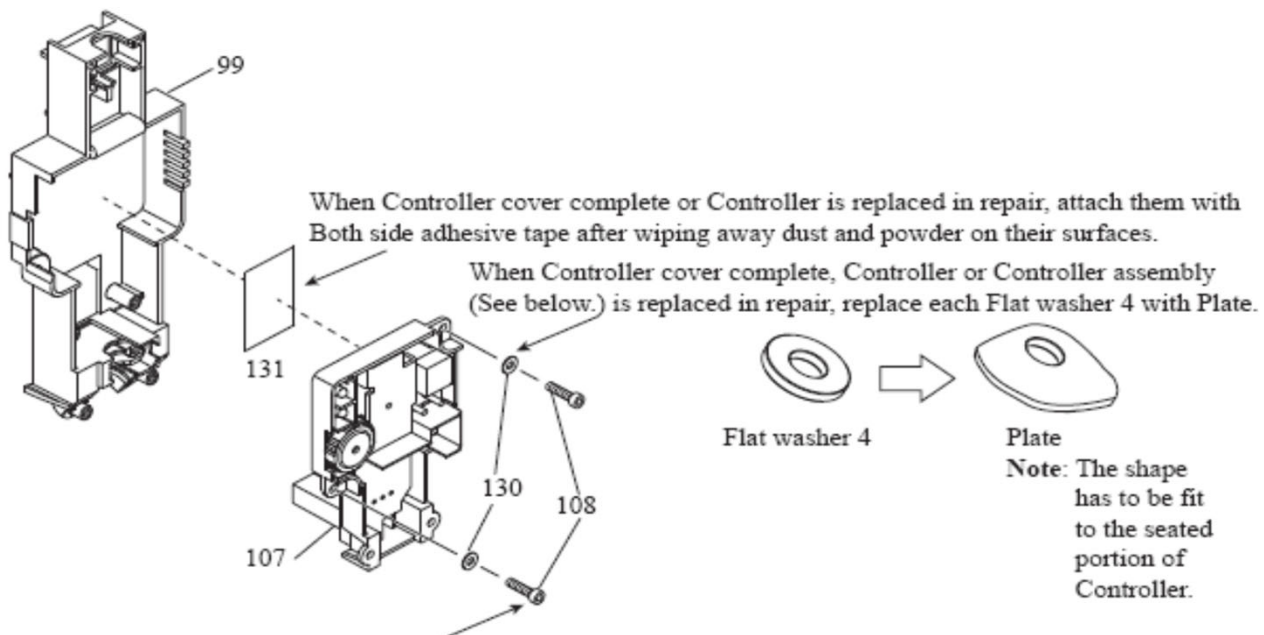
Item No.	Description	Type 1	Type 2	Type 3	Type 4
130	Flat washer / Plate	941051-3 (Flat washer)		346546-5 (Plate)	---
108	H.S.H Bolt	265490-6 (Torque 1-2N.m)		265490-6 (Torque 1-1.2N.m)	266834-3 (M4x18 with GM)
132	Controller Assy	----	126095-6	141803-4	N/L/A
99	Controller Cover Com.			158986-3	
107	Controller		631882-5		620225-6
102	Tapping Screw			265995-6	
131	Adhesive Tape	----		442180-0	---

Type 1 , Type 2, Type 3: Item No. 130, 108 and 132 are completely interchangeable as a set.

Type 2: No. 99, 107, 102, 131 is component of No. 132 Controller Assy

Type 3, Type 4: Item above are completely interchangeable as a set

After Mar 2013 production



Fastening torque of M4x16 Hex. socket head bolt (Part No. 265490-6 thread locker type) has been changed from 1 up to 2N.m to 1 up to 1.2N.m.

Too overtightening of the bolt causes the damage to Controller of plastic, therefore follow the fastening torque.

Once loosening the bolt, be sure to use the new makita genuine bolt 265490-6 or put ThreeBond 1342/ Loctite 242 on the thread then tighten the bolt.

For easier repairing, Controller assembly (#126095-6) has become available.

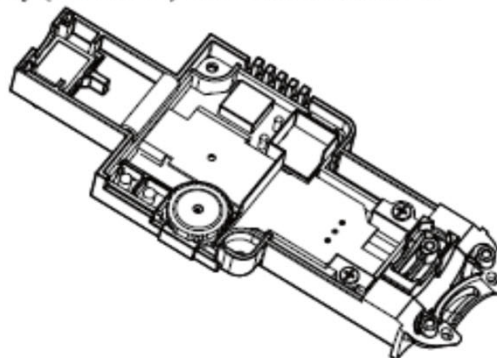
Components:

158986-3 Controller cover complete

631882-5 Controller

442180-0 Both side adhesive tape

265995-6 4x18 Tapping screw (2pc)



2. Change on Ball Bearing 6203ZZ and elimination of Oil Seal 20

(T/I#86025) (T/I#DK484)

Item No.	Description	Type1	Type2	Type3
54	BALL BEARING 6203ZZ	211256-2	211290-2	211256-2
55	OIL SEAL 20		213313-2	-----

Above parts are completely interchangeable as a set.

